

GENERAL ARTWORK DIMENSION

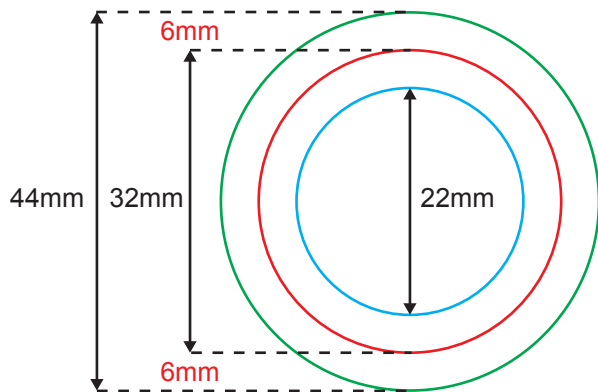
Bleeding : 6mm from all sides of edges (Artwork Dimension)

Margin : 5mm from all sides of edges (Safe Zone)

i) Pin (BBD32P) - Round Shape Diameter 32mm

Bleeding Size : 44mm diameter

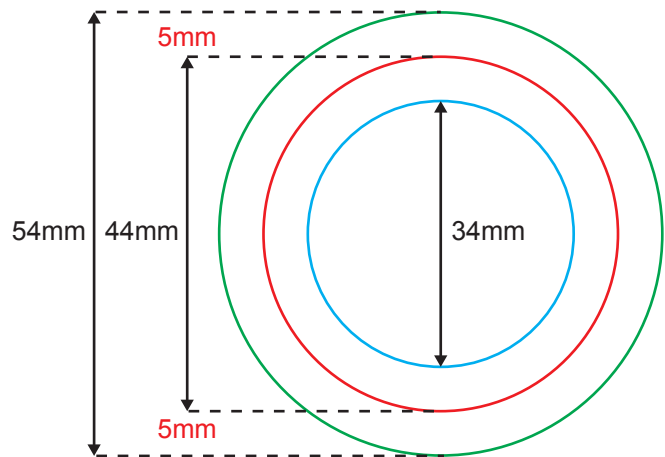
Safe Zone : 22mm diameter



ii) Pin (BBD44P) - Round Shape Diameter 44mm

Bleeding Size : 54mm diameter

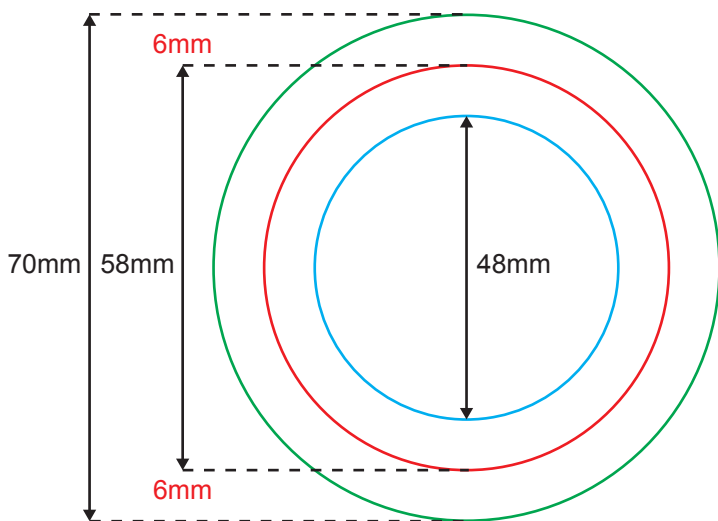
Safe Zone : 34mm diameter



iii) Pin (BBD58P) and Rubber Magnet (BBD58RM) - Round Shape Diameter 58mm

Bleeding Size : 70mm diameter

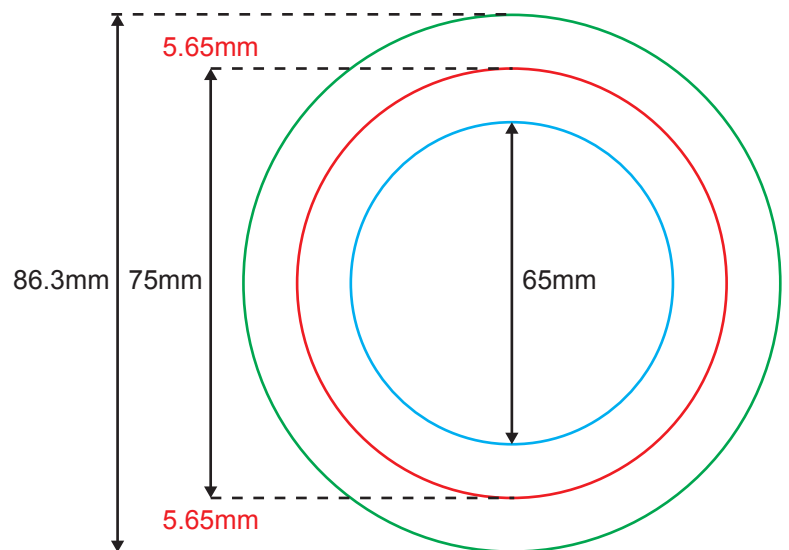
Safe Zone : 48mm diameter



iv) Pin (BBD75P) and Compact Mirror (BBD75 CM) - Round Shape Diameter 75mm

Bleeding Size : 86.3mm diameter

Safe Zone : 65mm diameter



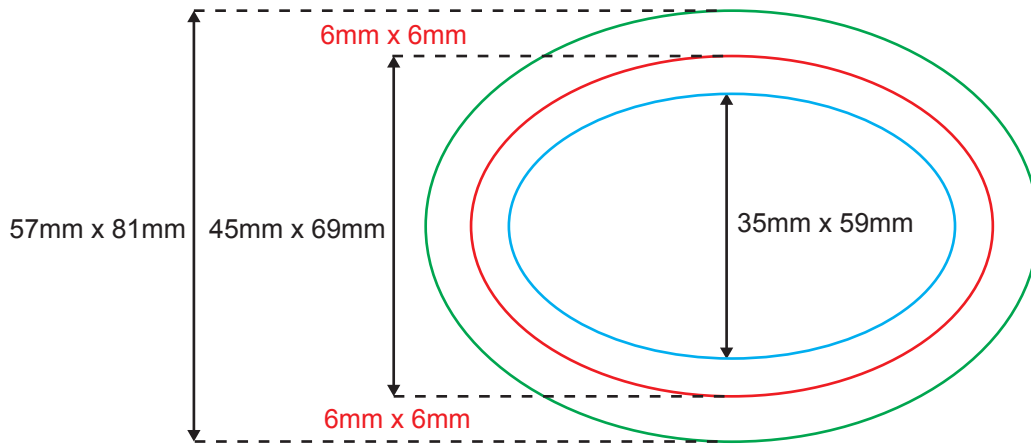
— Bleeding Line — Actual Size — Safe Zone

GENERAL ARTWORK DIMENSION

v) Magnet Bottle Opener (BB4569 MBO) - Oval Shape 45mm x 69mm

Bleeding Size : 57mm x 81mm

Safe Zone : 35mm x 59mm



ARTWORK PREPARATION

1. Artwork can be a vector graphic(vector) , text , shape or solid color.
2. Artwork must be followed to the Die-line precaution. Please double check to ensure the artwork position is following to our setting.
3. Artwork is saved in latest format of Adobe Acrobat Document (.pdf)
4. PDF file for Button badge artwork must prepare as below:
 Page 1 : Printable Artwork (Which Bleed until Die-cutting line)

EXAMPLE

Page 1: Printable Artwork

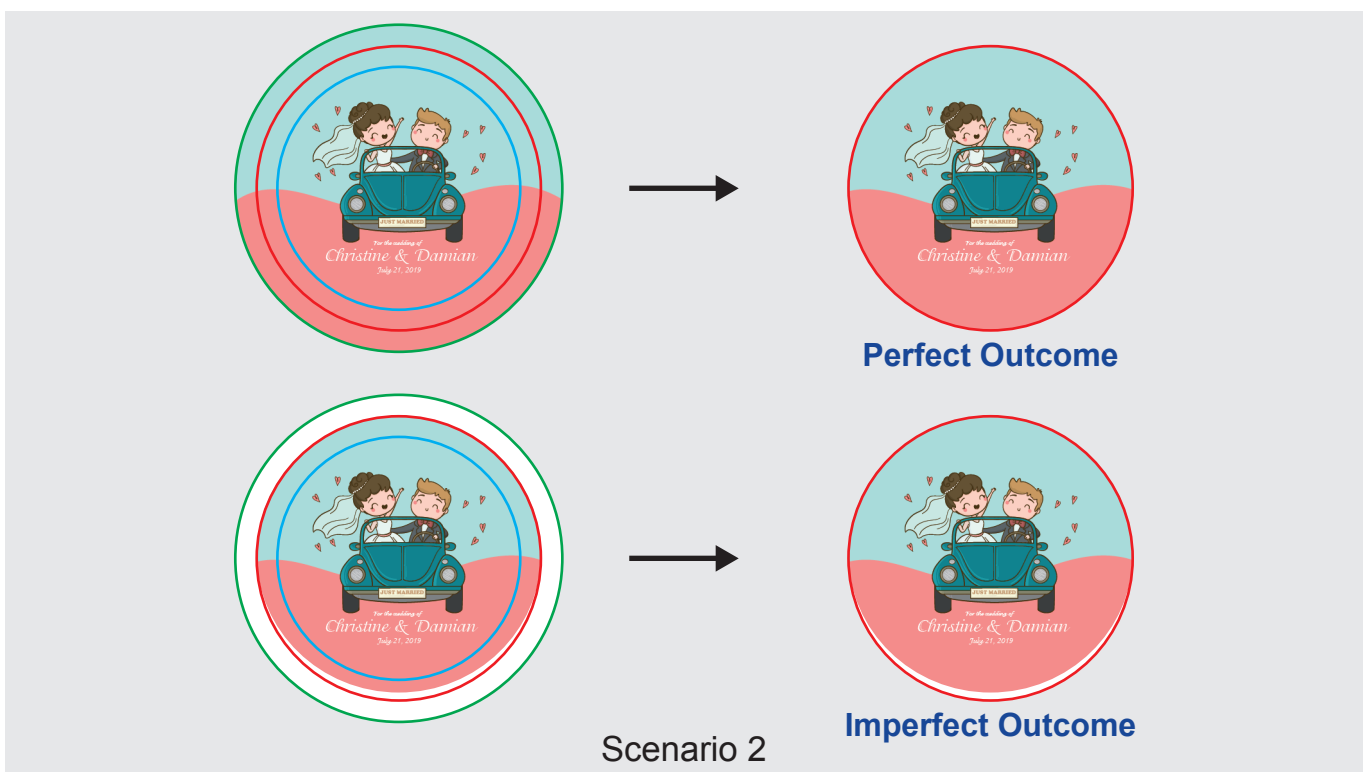
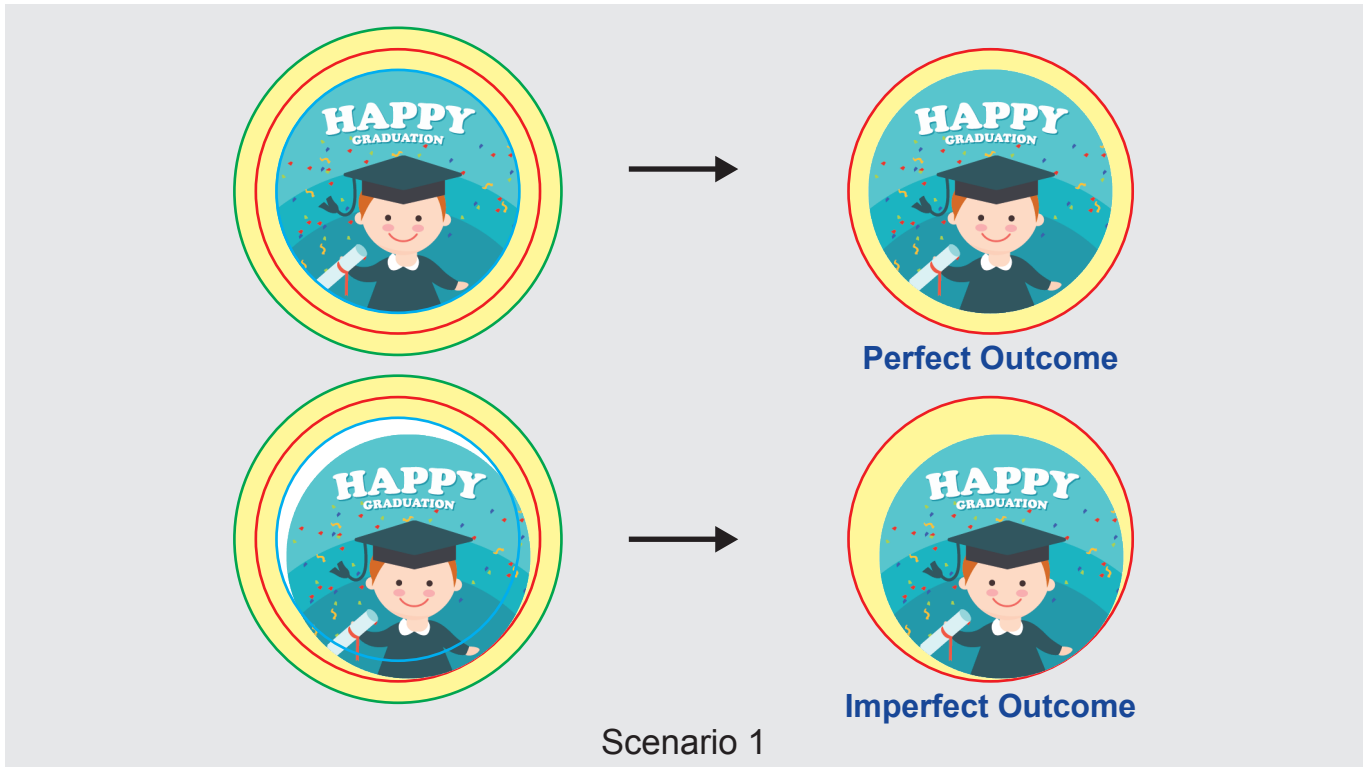


OUTCOME



ARTWORK PRECAUTION

We will **NOT** held any responsibility for the artwork prepared as below. Any artwork positioning variance of less than or equal to 1.0mm will **NOT** be given compensation. Refer scenario 1&2 in the table below as reference guideline.



Scenario 2 tells that, please make sure the artwork is in a **full bleed condition**, to prevent the risk of misregistration.