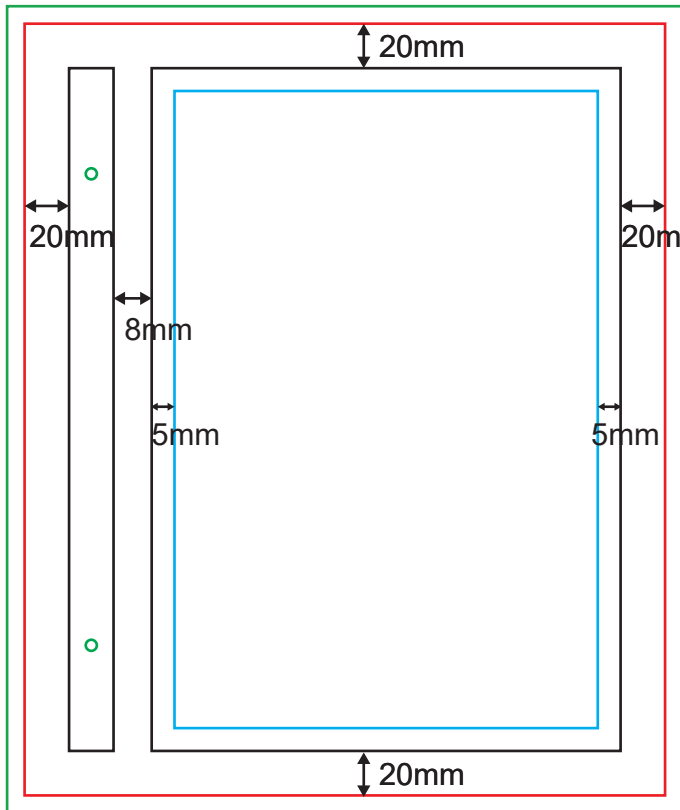
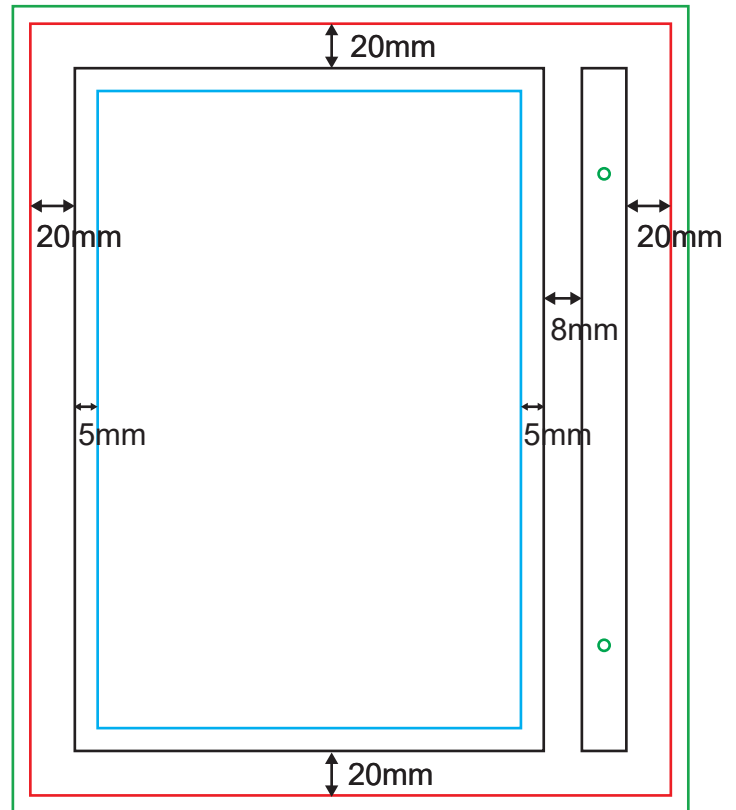


**HARD COVER GENERAL ARTWORK DIMENSION FOR COVER (FRONT COVER AND BACK COVER )**

- Bleeding : **2mm** from all sides of edges (Artwork Dimension)
- Safe Zone : **5mm** from all sides of edges (Safe Zone)
- Groove : **8mm**
- Extra Fold In : **20mm** each sides



**Front Cover**



**Back Cover**

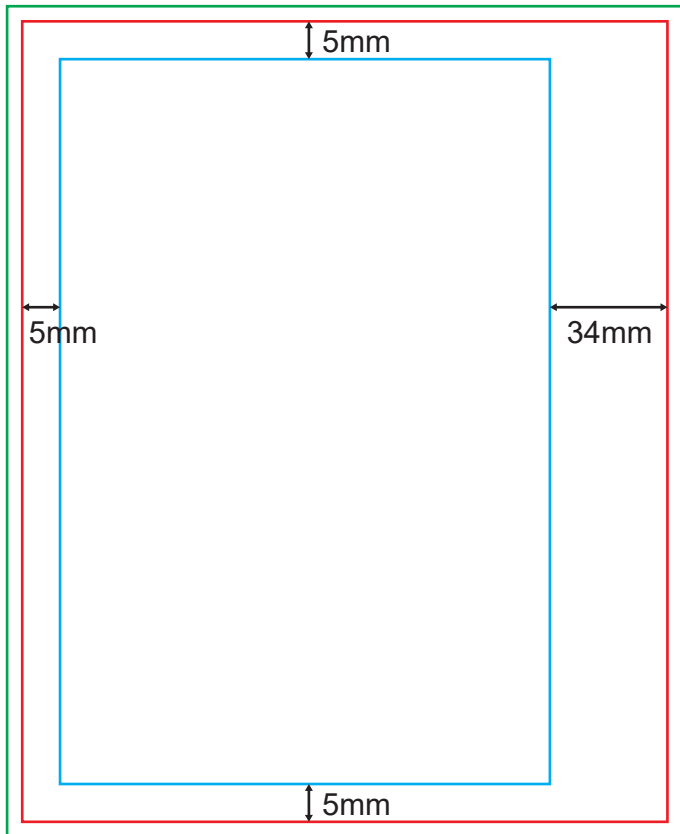
- Bleeding Line
- Actual Size
- Safe Zone
- Chipboard Guideline (for reference only)

**HARD COVER GENERAL ARTWORK DIMENSION FOR INNER COVER (INNER FRONT COVER AND INNER BACK COVER)**

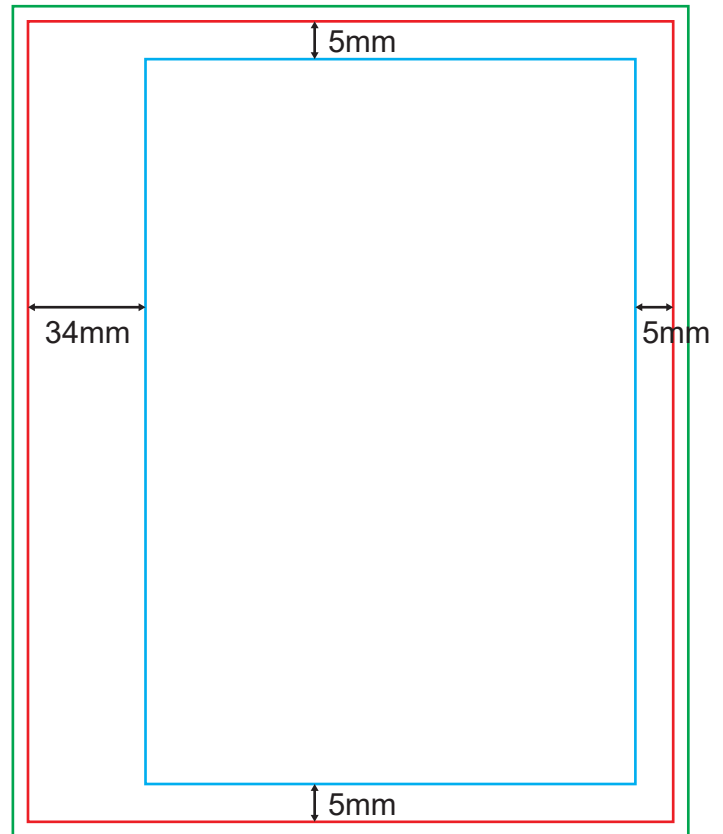
Bleeding : **2mm** from all sides of edges (Artwork Dimension)

Safe Zone (FC) : **5mm** from all sides of the edge; Except right side, **34mm** from edge

Safe Zone (BC) : **5mm** from all sides of the edge; Except left side, **34mm** from edge



Inner Front Cover



Inner Back Cover

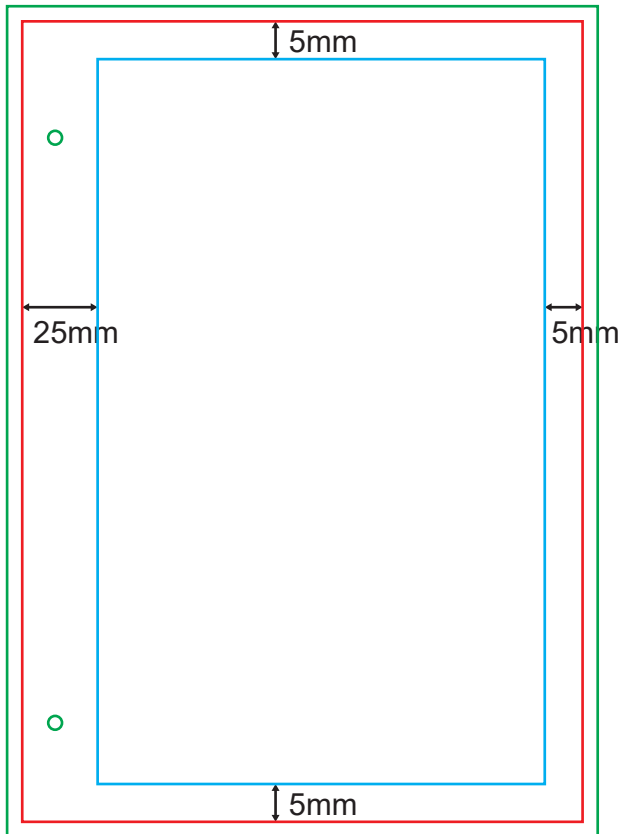
- Bleeding Line
- Actual Size
- Safe Zone

## HARD COVER GENERAL ARTWORK DIMENSION FOR CONTENT

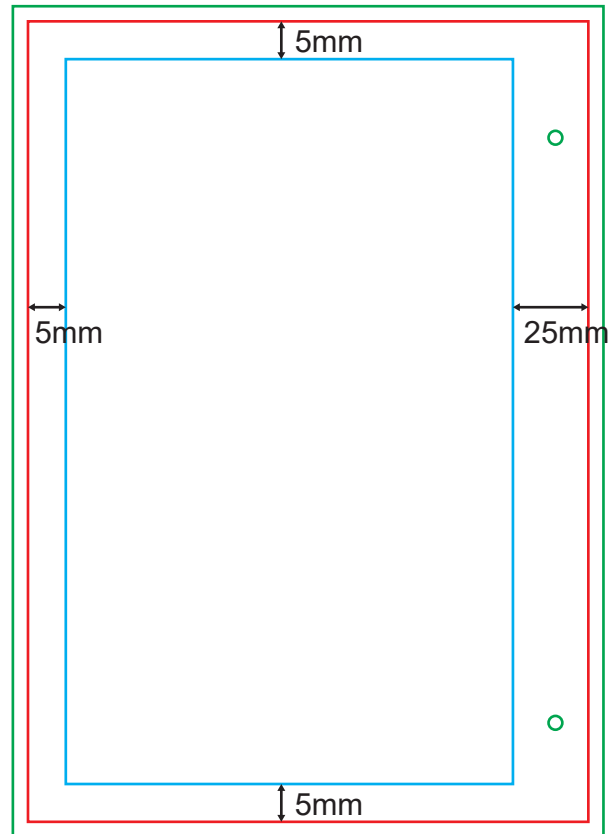
Bleeding : **2mm** from all sides of edges (Artwork Dimension)

Safe Zone (IFC) : **5mm** from all sides of the edge; Except left side, **25mm** from edge

Safe Zone (IBC) : **5mm** from all sides of the edge; Except right side, **25mm** from edge



Front Content



Back Content

- Bleeding Line
- Actual Size
- Safe Zone

## STANDARD CHECKLIST

### ARTWORK

- Artwork is prepared in our Product Size Templates
- Background design expand to Full Bleed size
- Vital elements are within Safe Zone
- No crop mark are applied

### DESIGN

All images have been exported / converted to TIFF files

- Background, design effects, photos, images (not including text / vector images)

Never manipulate images in layout program

- Resolution: 300dpi
- Color Mode: CMYK

### FONTS

- No fonts of less than 4 pts
- Curve / Path / Create outline all fonts

### MARKING & TRAPPING

- Do not apply any crop mark and trapping to your files, including box, bleeding marking, margin marking and custom die cut (Dotted line).

### LINE WEIGHT

- No lines are less than 0.25pts

### FILE FORMAT

SETTING FILE FORMAT	Adobe Acrobat Document (*.pdf)	TIFF File Format (*.tiff)	JPEG File Format (*.jpg)
Resolution	300 dpi	300 dpi	600 dpi
Pixels Dimension	-	1051 x 650 pixel	2100 x 1300 pixel
Color Mode	CMYK	CMYK	CMYK
Total File Size	smaller than 20 MB	smaller than 20 MB	smaller than 20 MB

## HARD COVER ARTWORK FILE PREPARATION

---

For overall **Hard Cover Menu** in **THREE PDF** files:



Cover  
(Front Cover & Back Cover)



Inner Cover  
(Inner Front Cover & Inner Back Cover)



Content

### *Page Arrangement for 6 Sheets Hard Cover Menu in THREE PDF files*

**File 1:** Cover

Page 1: Front Cover

Page 2: Back Cover

**File 2:** Inner Cover

Page 1: Inner Front Cover

Page 2: Inner Back Cover

**File 3:** Content

Page 1 - 12: Customize Content (Front and Back)

---

### *Page Arrangement for 8 Sheets Hard Cover Menu in THREE PDF files*

**File 1:** Cover

Page 1: Front Cover

Page 2: Back Cover

**File 2:** Inner Cover

Page 1: Inner Front Cover

Page 2: Inner Back Cover

**File 3:** Content

Page 1 - 16: Customize Content (Front and Back)

---

For **Cover Only** in **TWO PDF** files



Cover  
(Front Cover & Back Cover)



Inner Cover  
(Inner Front Cover & Inner Back Cover)

**File 1:** Cover

Page 1: Front Cover

Page 2: Back Cover

**File 2:** Inner Cover

Page 1: Inner Front Cover

Page 2: Inner Back Cover

## HARD COVER ARTWORK FILE PREPARATION

---

For **Content Only** in **ONE PDF** file



Content

### *Page Arrangement for 6 Sheets Hard Cover Menu*

**File 1:** Content

Page 1 - 12: Customize Content (Front and Back)

---

### *Page Arrangement for 8 Sheets Hard Cover Menu*

**File 1:** Content

Page 1 - 16: Customize Content (Front and Back)